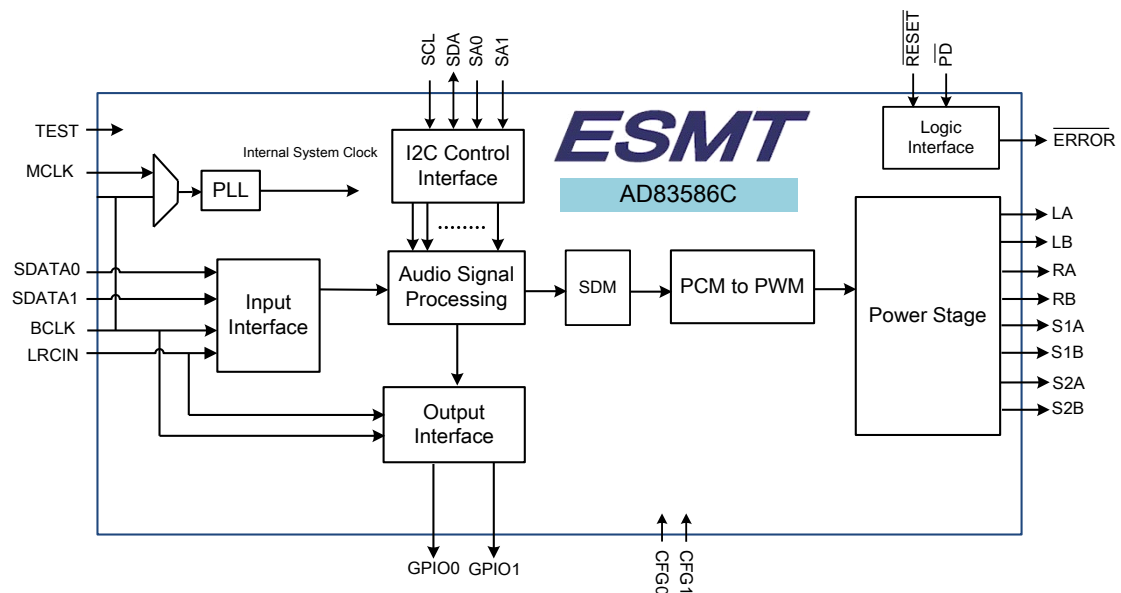


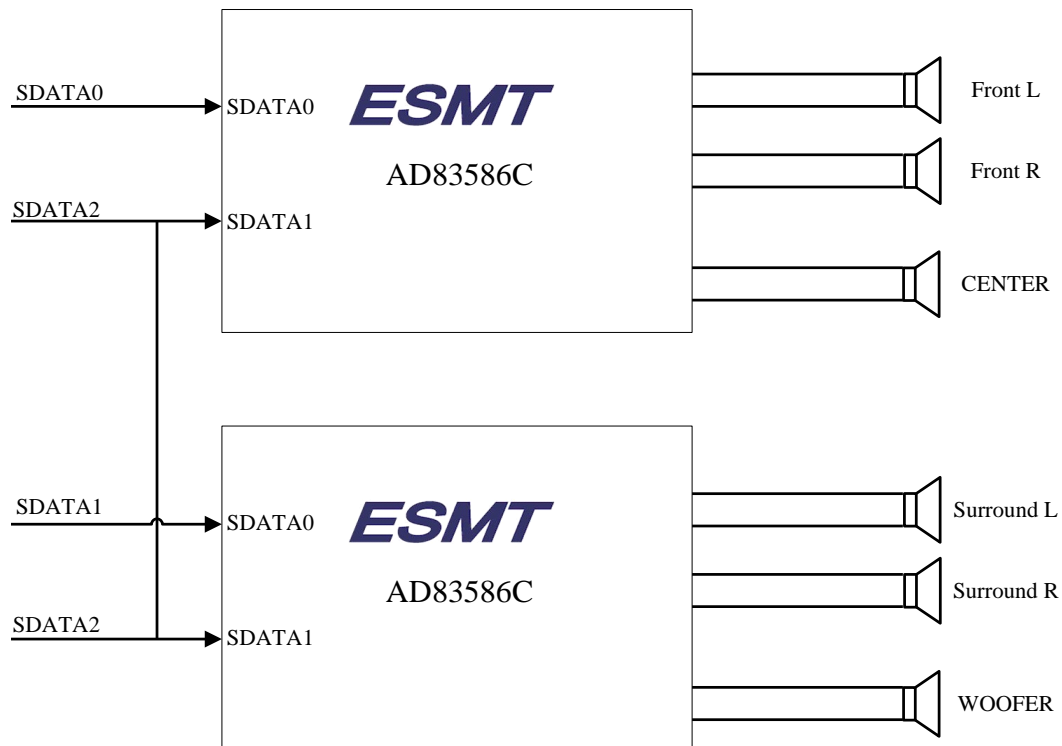
ESMT Announces High-Power Digital Class D Speaker Amplifier

January 5 2024

ESMT new AD83586C audio amplifier, ideal for a wide variety of applications, including 2.1 channel, stereo or mono solution for TVs, Wireless audio and soundbars. The AD83586C digital-input 2x30W+1x60W 2.1CH/ 2x60W Stereo/ 1x120W Mono Class D audio power amplifier can provide advanced audio processing capabilities, such as volume control, 36 bands speaker EQ, audio mixing, 3D surround and Dynamic Range Control (DRC).



It is possible to use two pieces of AD83586C to realize 5.1 channels for home theater applications.



The AD83586C allows designers to achieve reliable, high-power audio, with up to 96-kHz flexible processing and self-protection features including short circuit, over-temperature protection and DC speaker protection. Combining advanced audio processing and 3D surround, the AD83586C is the first integrated digital-input solution to support the highest output power and performance at 2x30W+1x60W 2.1CH, all in one single package E-LQFP 48L.